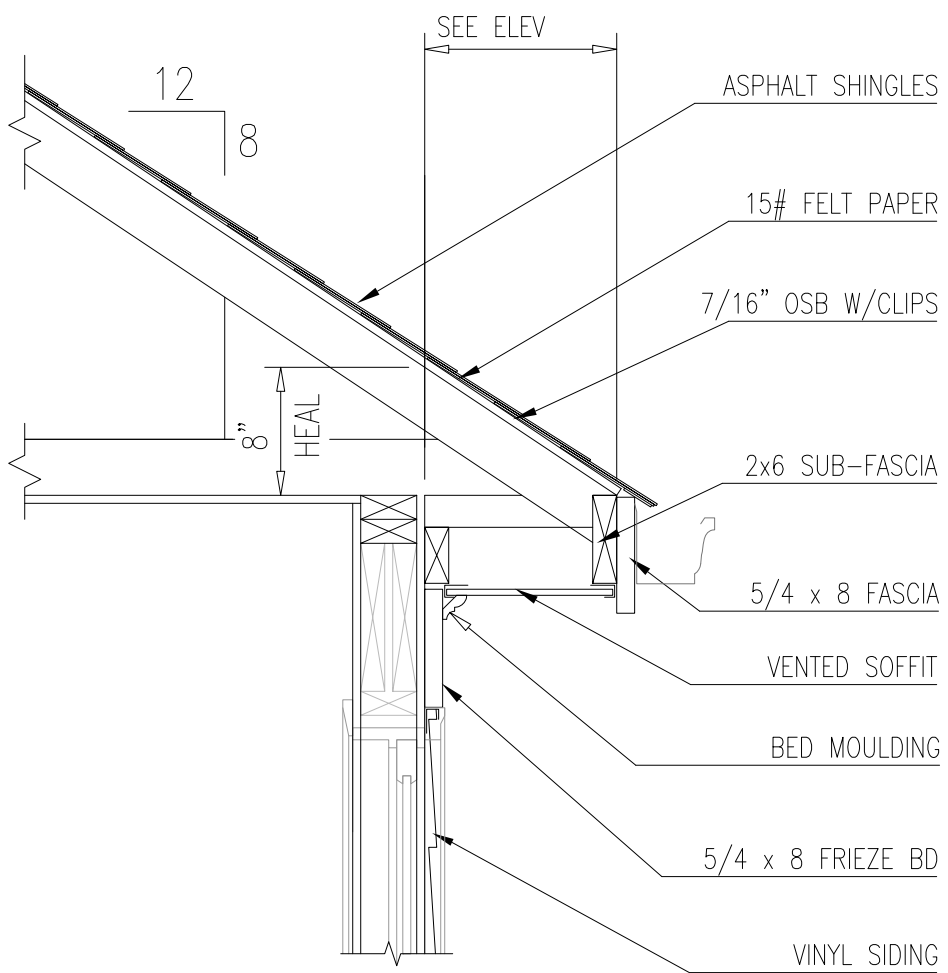
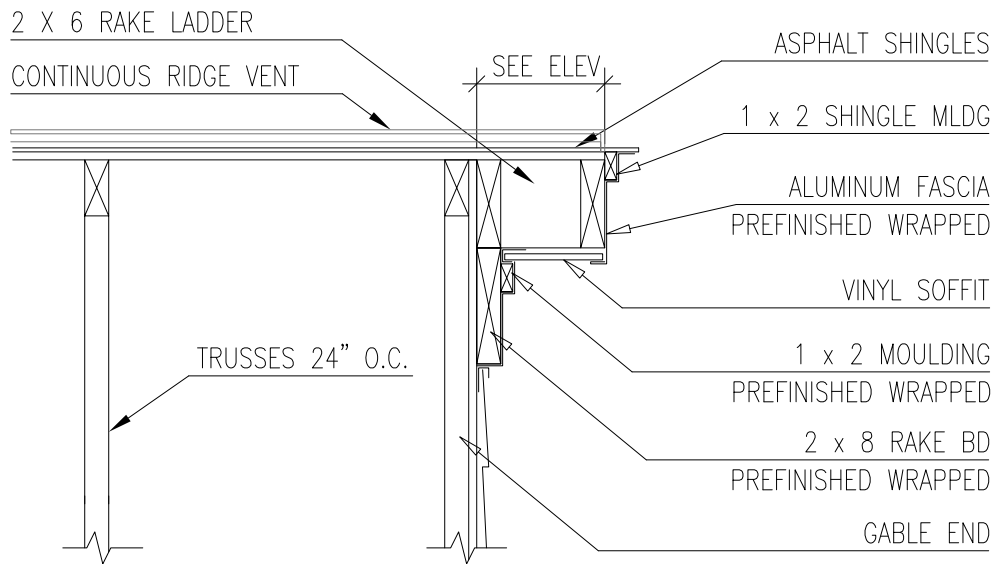


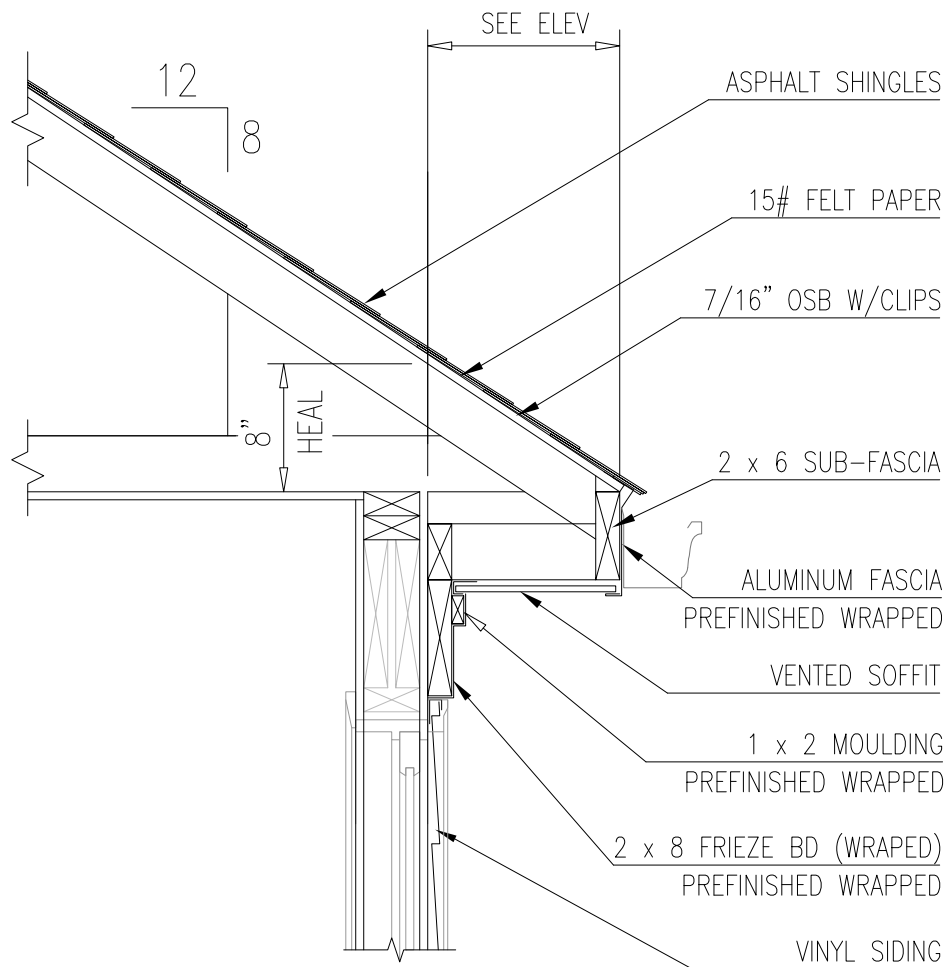
GABLE OVERHANG - METHOD 1



EAVE OVERHANG - METHOD 1



GABLE OVERHANG - METHOD 2 ALUMINUM WRAPPED



EAVE OVERHANG - METHOD 2 ALUMINUM WRAPPED